

PORSCHE



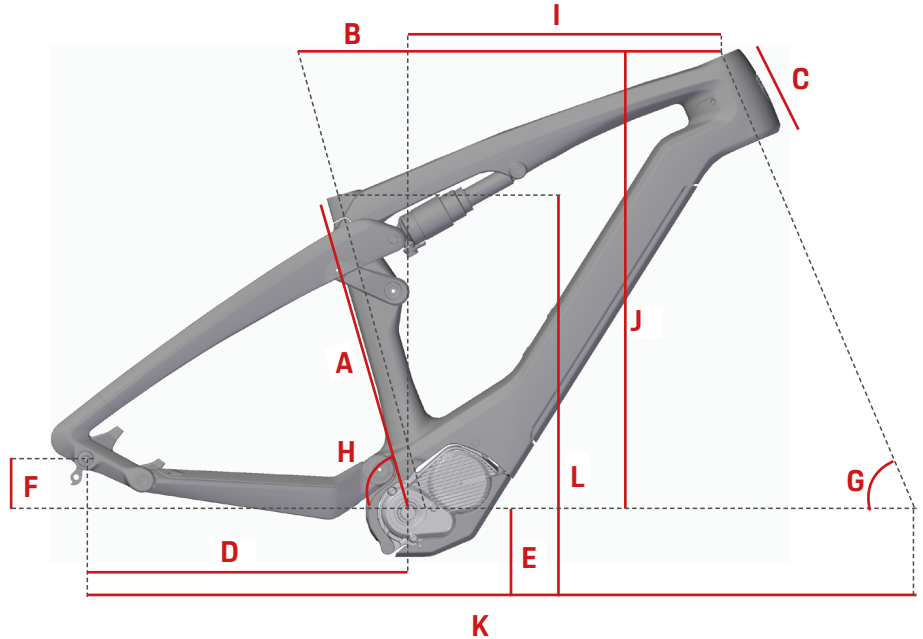
# Porsche eBikes 2025

SPEZIFIKATIONEN/SPECIFICATIONS

Produktspezifikation kann von Abbildung abweichen / Product specification may differ from illustration.

# Geometrie/Geometry

<b>A</b>	<b>Sattelrohrlänge/seat tube length</b>	S 400 mm M 450 mm L 450 mm
<b>B</b>	<b>Oberrohrlänge/top tube length</b>	S 581 mm M 620 mm L 652 mm
<b>C</b>	<b>Steuerrohrlänge/head tube length</b>	S 110 mm M 130 mm L 140 mm
<b>D</b>	<b>Kettenstrebennlänge/chain stay length</b>	S 430 mm M 460 mm L 460 mm
<b>E</b>	<b>Tretlagerhöhe/bottom bracket height</b>	S 299 mm M 300 mm L 300 mm
<b>F</b>	<b>Tretlager drop/bottom bracket drop</b>	S 45 mm M 75 mm L 75 mm
<b>G</b>	<b>Steuerrohrwinkel/head tube angle</b>	S 65° M 67° L 67°
<b>H</b>	<b>Sitzrohrwinkel/seat tube angle</b>	S 74° M 74° L 74°
<b>I</b>	<b>Reach/reach</b>	S 402 mm M 436 mm L 466 mm
<b>J</b>	<b>Stack/stack</b>	S 622 mm M 640 mm L 650 mm
<b>K</b>	<b>Radstand/wheelbase</b>	S 1108 mm M 1180 mm L 1213 mm
<b>L</b>	<b>Standover/standover</b>	S 760 mm M 820 mm L 820 mm



# Porsche eBike Sport

---

## FAHRWERK / SUSPENSION

**Federelement/rear shock**  
FOX Float 3-Pos DPS EVOL Performance 200x50

**Gabel/fork**  
Fox Float 34 Performance Elite, 120mm

---

## COCKPIT

**Steuersatz/headset**  
Acros RW750 1.5 headset w/ Blocklock

**Lenker (S/M/L)/handlebar**  
Rotwild RIC280 integrated Cockpit Carbon

**Vorbau (S/M/L)/stem**  
Porsche custom stem (60)

**Sattelstütze/seatpost**  
Crankbrothers Highline 3, 170mm/30.9mm(M,L)/  
150mm/30.9mm(S)

**Sattel/saddle**  
Ergon SM Pro Carbon

**Griffe/grips**  
Ergon GA20

**Licht/lights**  
Supernova Starstream X Pro, 1.000 lumen  
Topeak BeSeen STVZO

---

## E-BIKE-SYSTEM

**Display/display**  
Shimano SC-EM800

**Antrieb/motor**  
Shimano DU-EP801

**Batterie/battery**  
Shimano BT-E806 630 WH (EN805 504WH (S))

---

## ANTRIEB / DRIVETRAIN

**Kurbel/crankset**  
Shimano FC-EM900 36T. 160(S)/165(M/L)

**Kettenführung/chainguide**  
E13 TRS

**Schalthebel/shift lever**  
Shimano SW-E600 Di2

**Schaltwerk/derailleur**  
Shimano XT RD-M8150 12-speed Di2

**Kette/chain**  
Shimano XT CN-HG7100-12

**Kassette/cassette**  
Shimano XT CS-M8100-12 10-51T

---

## BREMSEN / BRAKES

**Bremse/brake**  
Magura MT7, 4-piston

**Rotor/brake disc**  
Magura MDR-P sensor 203/180

---

## LAUFRÄDER / WHEELS

**Laufräder (S/M/L)/wheelset**  
Xentis Mount-X Carbon 29"(M,L)/27.5" (S)

**Reifen (S/M/L)/tires**  
Schwalbe Racing Ralph (27.5x2.25 (S)/29x2.25 (M/L))

---

## ACCESSORIES

**Pedale/pedals**  
Crankbrothers stamp 2

---

**Farbe/color**  
beige/black matt

**zul. Gesamtgewicht/permissible max. weight**  
ASTM2 - 120 kg

# Porsche eBike Cross

---

## FAHRWERK / SUSPENSION

**Federelement/rear shock**  
FOX Float 3-Pos DPS EVOL Performance 200x50

**Gabel/fork**  
FOX Float 34 Performance

---

## COCKPIT

**Steuersatz/headset**  
Acros RW750 1.5 headset w/ Blocklock

**Lenker (S/M/L)/handlebar**  
B280 AL 7075 (35-740)

**Vorbau (S/M/L)/stem**  
S140 AL 6061 / ML ready (50)

**Sattelstütze/seatpost**  
Crankbrother Highline 30.9x150(S)/170(M/L) Travel

**Sattel/saddle**  
Ergon SM Sport

**Griffe/grips**  
Ergon GA20

---

## E-BIKE-SYSTEM

**Display/display**  
Shimano SC-EM800

**Antrieb/motor**  
Shimano DU-EP801

**Batterie/battery**  
Shimano BT-EN805-L 504WH (EN805 504WH (S))

---

## ANTRIEB / DRIVETRAIN

**Kurbel/crankset**  
Shimano FC-EM8150 36T. 160(S)/165(M/L)

**Kettenführung/chainguide**  
E13 TRS

**Schalthebel/shift lever**  
Shimano XT I-Spec EV

**Schaltwerk/derailleur**  
Shimano XT 8100 SGS Standart Plus

**Kette/chain**  
Shimano HG 7100 12-Speed

**Kassette/cassette**  
Shimano CS 6100 10-51T. 12-Speed

---

## BREMSEN / BRAKES

**Bremse/brake**  
Magura MT Trail HC1/ Shiftmix

**Rotor/brake disc**  
Magura MDR-P sensor 203/203

---

## LAUFRÄDER / WHEELS

**Laufträder (S/M/L)/wheelset**  
Crankbrothers Synthesis 110-15 boost/148-12 TAS 6-bolt

**Reifen (S/M/L)/tires**  
Schwalbe Nobby Nic Evo (27.5x2.40 (S)/29x2.40 (M/L))

---

## ACCESSORIES

**Pedale/pedals**  
Crankbrothers stamp 2

**Farbe/color**  
dark blue metallic/black matt

**zul. Gesamtgewicht/permissible max. weight**  
ASTM3 - 120 kg

# Porsche eBike Cross Performance / (EXC)

## FAHRWERK / SUSPENSION

**Federelement/rear shock**  
FOX Float 3-Pos DPS EVOL Factory 200x50

**Gabel/fork**  
FOX Float 34 Factory

## COCKPIT

**Steuersatz/headset**  
Acros RW750 1.5 headset w/ Blocklock

**Lenker (S/M/L)/handlebar**  
B220 Flatriser-35 Carbon 780/15mm

**Vorbau (S/M/L)/stem**  
S140 AL 6061 / ML ready (50)

**Sattelstütze/seatpost**  
Crankbrother Highline 30.9x150(S)/170(M/L) Travel

**Sattel/saddle**  
Ergon SM Sport

**Griffe/grips**  
Ergon GA20

## E-BIKE-SYSTEM

**Display/display**  
Shimano SC-EM800

**Antrieb/motor**  
Shimano DU-EP801

**Batterie/battery**  
Shimano BT-EN806 630 WH (EN805 504WH (S))

## ANTRIEB / DRIVETRAIN

**Kurbel/crankset**  
Shimano FC-EM900 36T. 160(S)/165(M/L)

**Kettenführung/chainguide**  
E13 TRS

**Schalthebel/shift lever**  
Shimano XT SW-M8 150 I-Spec EV Di2

**Schaltwerk/derailleur**  
Shimano XT RD-M8150 12-Speed Di2

**Kette/chain**  
Shimano XT CN-HG7100-12

**Kassette/cassette**  
Shimano XT CS-M8100-12 10-51T.

## BREMSEN / BRAKES

**Bremse/brake**  
Magura MT 7 HC1/ Shiftmix

**Rotor/brake disc**  
Magura MDR-P sensor 203/203

## LAUFRÄDER / WHEELS

**Laufträder (S/M/L)/wheelset**  
Crankbrothers Synthesis Carbon 1 110-15 boost/148-12 TAS 6-bolt

**Reifen (S/M/L)/tires**  
Schwalbe Nobby Nic Evo (27.5x2.40 (S)/29x2.40 (M/L))

## ACCESSORIES

**Pedale/pedals**  
Crankbrothers stamp 2

**Farbe/color\***  
light blue metallic/black matt

**zul. Gesamtgewicht/permissible max. weight**  
ASTM3 - 120 kg

\* EXC-Variante erhältlich in ausgewählten Porsche Originalfarben/EXC-Version available in selected original Porsche colors